



CHIPPING HAMMERS (AA-series) & FLUX CHIPPERS

APPLICATIONS

AA-series: Same as NC-series, but AA-series have shorter stroke and more frequent impacts, and less vibration, which are suitable for finer jobs.

Flux Chippers: Stone engraving, removal of paint, rust and welding chips.

Most suitable for cutting and scraping at small area. Operationable by a small compressor.

● AK-AA10A

with SPRING chisel retainer



● AK-AA15A

with SPRING chisel retainer



● AK-AA20S

with SPRING chisel retainer



● AK-AA30S

with SPRING chisel retainer



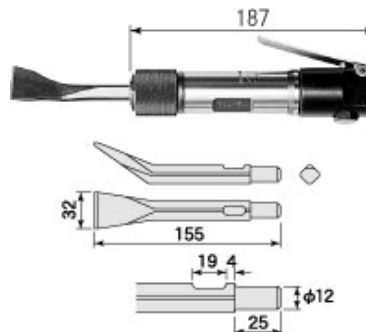
● AK-F1A

with straight flat chisel



● AK-F2

with bent wide flat chisel



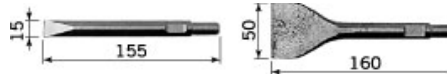
● Optional chisels for U-F1A



Long Straight Flat Chisels

LENGTH: 150mm, 180mm, 200mm

● Optional chisels for U-F2



Straight Flat Chisel

Wide Flat Chisel

Model	Piston Dia. (mm)	Piston Stroke (mm)	Blows (bpm)	Air Cons. (L/min)	Air Inlet (inch PT)	Weight (kg)	Overall Length (mm)	Shank Size (mm)	
								Round	Hex.
AK-AA10A	24	51	2800	400	1/2	4.2	295	17.5x60	15x60
AK-AA15A	24	70	2200	500	1/2	4.6	330	17.5x60	15x60
AK-AA20S	28	55	2600	500	1/2	5.7	315	17.5x60	15x60
AK-AA30S	28	79	2200	500	1/2	6.2	345	17.5x60	15x60
AK-F1A	20	12	5000	150	3/8	0.9	175		11x19
AK-F2	22	22	4000	250	3/8	1.2	187		12x25



SAITAMA SEIKI CO., LTD.

2942 Mishiri, Kumagaya, Saitama, 360-0843 Japan
Tel. +81-48-532-3804 FAX +81-48-533-3883

201304